

XR 8

USER'S MANUAL



INDEX

MAGAZINE FED	1
WARNING AND SAFETY	2
WARNINGS	3
A GUN OWNER'S RESPONSIBILITY	5
WARNINGS	6
LOADING THE SHOTGUN	15
UNLOADING THE SHOTGUN	16

PART DIAGRAM

LOWER RECEIVER GROUP	17
BOLT GROUP	18
BARREL GROUP	19
MAGAZINE GROUP	20
UPPER RECEIVER GROUP	21

SHOTGUN DISSASSEMBLY INSTRUCTIONS	22
---	----

LUBRICATION WARNING	26
---------------------------	----

CERTIFICATE OF GUARANTEE	28
--------------------------------	----

MAGAZINE FED

*XR8 semi-automatic magazine-fed shotgun.
It seems perfect with its khaki green and alternative coating colours. Adjustable stock and soft hand grip helps you find the most accurate position at a time for each shot. Get ready for a ultimately new shooting experience with XR 8 thanks to its optional bipod and laser pointer accessories.*



Dear user

-We thank you very much choosing our fine art product.

-We expect your respect to the nature while using our products.

-We intend to continue for providing best guns and servicing for centuries to come.

- Do not forget ever firearms is different however much you are experienced.

- Please understand the mean that the first step of safety is yourself. Your shotgun is a non-living thing, can not think of safety. You manage it and only using carelessly causes accidents!

- Never use your shotgun when you are drunk, had drugs, when riding, when driving and when you feel yourself unwell.

- Do not shoots at hard surfaces very close

and with a shallow angle because of skipping possibility.

- While shooting use protection material for your eyes and ears.

- Always keep your shotgun and cartridges away from the children that they can not reach. If possible in a locked safe place.

- Use the correct ammunition according to you shotgun's specifications.

- Do not shoot your shotgun without choke tubes and be sure the choke tubes are properly fitted in the muzzle. (On multi choke shotguns only)

- Never keep your hand in front of muzzle when shotgun is loaded.

- Be careful! to follow the instructions correctly when assembling, dismantling and/or maintaining and cleaning your shotgun to avoid injuries.

- Before shooting be sure that inside of the barrel is exactly clean.



WARNING AND SAFETY

BEFORE USING YOUR GUN, PLEASE READ CAREFULLY USER MANUAL

IMPORTANT WARNING:
BEFORE DISASSEMBLING SHOTGUN

- 1) POINT THE GUN TO A SAFETY PLACE
- 2) MAKE SURE THAT REMOVE MAGAZINE
- 3) BE SURE THAT CHAMBER IS EMPTY

IMPORTANT WARNING

INFORMATION AND SPECIFICATIONS CONTAINED IN THIS MANUAL MAY CHANGE WITHOUT NOTIFICATION

CARE AND MAINTENANCE OF YOUR SHOTGUN**1) NEVER ALTER OR MODIFY YOUR SHOTGUN**

This shotgun was produced under specific manufacturer guidelines and should not be changed under ANY circumstances. Altering the trigger, mechanical components, safety mechanisms, or using any other products other those provided in the original box is **NOT RECOMMENDED** by the manufacturer, and could result death, bodily harm, or compromising your safety or the safety of others. Any alteration made to the firearm also voids the factory warranty.

2) PROPER CARE AND MAINTENANCE

It is essential that regular maintenance and cleaning be performed to maintain the accuracy, function, and maximize the longevity of your firearm. Before cleaning **ALWAYS** perform a safety check to make sure that the firearm is unloaded prior to cleaning.

You are now the owner of the Huglu shotgun. Your shotgun has an innovative design and is manufactured from high quality materials. With regularly performed maintenance and the use of proper ammunition it will provide you with many years of service.

In order to achieve the best performance and reliability from your shotgun, please read and fully understand all of the instructions, safety guidelines, and warnings carefully in this manual. Your shotgun is enormously reliable and safe unless it is handled in a careless or irresponsible manner.

REMEMBER, IT IS IMPERATIVE THAT THE FIREARM HANDLER BE FULLY EDUCATED AND CONSCIOUS OF THE IMPORTANCE OF EXECUTING PROPER GUN SAFETY RULES WHEN OPERATING ANY FIREARM.

Before using or firing with any live ammunition you should know and fully understand your shotgun's parts, function, and operating mechanisms. So carefully read and fully understand all of the information about the parts and procedures of using the shotgun safely and effectively.

A GUN OWNER'S RESPONSIBILITY

As the owner of a firearm you have the responsibility and obligation of ensuring that any and all shooting activities are safe for everyone. This requires your personal commitment to carefully read, fully understand, and exercise the principles of proper firearm safety at all times.

DISCLAIMER

THE FIREARM IN WHICH THESE SAFETY RULES APPLY IS SOLD UNDER THE EXPRESSED CONDITIONS THAT THE MANUFACTURER ACCEPTS **NO LIABILITY** IN PART OR WHOLE FOR BODILY INJURY, DEATH, OR PROPERTY DAMAGE FROM:

- IMPROPERLY OR CARELESSLY HANDLING THE FIREARM.
- USING DEFECTIVE, IMPROPER CALIBER, HAND-LOADED, OR RELOADED AMMUNITION.
- INADEQUATE MAINTENANCE OF THE SHOTGUN RESULTING IN CORROSION OR DAMAGE, NEGLIGENCE OF MALFUNCTIONS.
- RESALE IN CONTRADICTION OF ANY APPLICABLE LAWS OR REGULATIONS,
- ALTERING OR CONVERTING THE FIREARM'S ORIGINAL AESTHETIC, FUNCTIONING MECHANISMS, ACCESSORIES, OR MECHANICAL CONFIGURATION,
- DISCHARGING WITH CRIMINAL INTENT OR NEGLIGENCE.
- FAILURE TO UNDERSTAND, ADHERE TO, AND FOLLOW THE RULES OF FIREARM SAFETY WHEN USING OR HANDLING THE FIREARM.
- OR ANY OTHER CIRCUMSTANCES OUTSIDE THE MANUFACTURER'S DIRECT OR IMMEDIATE CONTROL.

IMPORTANT WARNING: IT IS IMPORTANT FOR YOU TO RECEIVE PROPER TRAINING FROM A COMPETENT FIREARMS INSTRUCTOR OR AUTHORITY BEFORE BEGINNING TO SHOOT OR WHEN HANDLING THE FIREARM.

IMPORTANT WARNING: FAILURE TO ADHERE TO THE RULES OF FIREARM SAFETY CAN RESULT IN SERIOUS INJURY, DEATH, OR DESTRUCTION OF PROPERTY

1) COMPLETELY READ AND UNDERSTAND YOUR OWNER'S MANUAL GUIDELINES BEFORE USING YOUR FIREARM. You should fully understand the function of all of the components and mechanics of the firearm. Before you remove the firearm out of the box thoroughly read the owner's manual on how to properly carry, handle, load, unload, and store your new firearm. Know the rules of proper gun safety and exercise them at all times because failure to do so may result in death or injury to yourself or others. Because it is impossible to list every firearm situation or scenario, be aware that certain circumstances may require additional safety rules unique to a particular situation.

2) ALWAYS LEARN THE SPECIFIC, MECHANICAL AND HANDLING CHARACTERISTICS OF YOUR SHOTGUN. All firearms are different thus it is important for you to understand how to properly carry, use, and handle each one according to its specific guidelines. Before using any firearm, one must completely familiarize themselves with the type of firearm and its specific safe handling procedures for loading, unloading, carrying,

NEVER

- Give the shotgun to any person who has not thoroughly familiarized himself or herself with all of the information, safety rules, and warnings in the owner's manual.

3) ALWAYS KEEP THE FIREARM UNLOADED UNTIL READY TO USE.

Firearms should be kept unloaded when not in use. Whenever you pick up a firearm, immediately engage the safety device and remove the magazine to visually inspect the chamber and confirm that it is clear. Always unload all ammunition from the chamber and remove the magazine after:

1) shooting, 2) before putting the firearm away, 3) putting it into a holster, 4) when not in use, and 5) when handing it over to another person.

NEVER

- Leave a loaded gun unattended, propped up against a surface, or out of your hands.
- Assume a firearm is unloaded, even if you used it last. Always check to make sure that there is no ammunition and the chamber is clear.
- Load a cartridge into the chamber until you are ready to fire.
- Carry or transport your firearm with live ammunition in the chamber.
- Pass a firearm to another person or accept a firearm from another person, until the cylinder or action is open and you have personally checked that the weapon is completely unloaded.
- Haul a loaded firearm openly or in a carrying case.
- Never transfer or hand a loaded firearm to someone else.

4) ALWAYS KEEP YOUR FINGER OFF THE TRIGGER UNTIL YOU ARE READY TO SHOOT.

When holding the firearm be sure to rest your finger on the trigger guard and along the side of the gun.

NEVER

- Touch the trigger until you are ready to fire.
- Engage in horseplay while handling a firearm.
- Rely on the safety devices of the gun. Mechanical safeties are never foolproof and can wear out and malfunction overtime. Remember to always handle all firearms using proper gun safety guidelines.

5) ALWAYS KEEP THE GUN POINTED IN A SAFE DIRECTION.

A safe direction is one in which an accidental discharge can not or would not cause injury or harm to yourself or others. Use extreme caution especially when loading and unloading your firearm. When handling any firearm always treat it as if it was loaded and ready to fire, even if you think it is empty. The recommended carrying position of your shotgun is with the hammer in de-cocked position.

NEVER

- Point your firearm at anything you don't intend to shoot.
- Use a firearm under the influence of alcohol, drugs, or any other substances that may impair your judgment, skills, or physical abilities.
- Target shoot or hunt with a firearm when you are fatigued or too tired to operate the firearm safely.
- Use your firearm if you have an illness or disability that could compromise your judgment and the safety of yourself or others.

6) ALWAYS USE THE CORRECT AMMUNITION.

All firearms are manufactured to use a certain caliber or gauge of ammunition. Only use ammunition that the manufacturer has recommended. Always verify before loading that you have the correct ammunition that matches the manufacturer's recommendations. Using improperly reloaded or incorrect ammunition can cause death and injury. This can also damage or destroy your firearm which will void any warranty.

NEVER

- Shoot the gun unless you know you have the proper ammunition.
- Use hand loaded, non-standard or reloaded ammunition.
- Fire ammunition that exceeds industry standard pressure specifications.
- Use old, soiled, or damaged ammunition.
- Use ammunition which does not feed reliably in your particular firearm as it may malfunction at a critical juncture.

7) ALWAYS STORE YOUR FIREARM IN A SECURED STORAGE AREA TO PREVENT UNAUTHORIZED ACCESS OR USE FROM OTHER INDIVIDUALS.

There are many types of firearm storage devices as well as locking devices that attach directly to the firearm itself. Each individual must consider their particular circumstances so that the firearm is stored and maintained for optimal safety and security. Metal gun safes are recommended over open racks or glass front cabinets. Mechanical safeties built into the firearm can fail and should not be used as a substitute for safe gun handling and adherence to all firearm safety rules. Additionally, always store your ammunition locked up and secured separately from any firearms.

NEVER

- Store or hide a loaded firearm
- Leave your firearms where unauthorized access from other individuals can occur.
- Allow access to individuals who do not understand or follow the rules of proper gun safety
- Leave a unsecured firearm in a bed, drawer, closet, or any other vehicle that could allow access to children or other unauthorized individuals
- Allow children under the age of 18 access to any firearms without close supervision and proper firearm safety training.

8) ALWAYS COMPLY WITH ALL LOCAL, STATE, AND FEDERAL LAWS THAT GOVERN THE OWNERSHIP, STORAGE, CARRYING, AND USE OF FIREARMS.**NEVER**

- Vandalize any public or private property by using it as a target.
- Poach a game animal out of season
- Kill any animal you don't intend to eat.

9) ALWAYS KNOW YOUR TARGET AND WHAT IS BEYOND.

Before you pull the trigger be sure of your target and what is behind it. Shoot only in areas that have approved backdrops such as a shooting range, or backstops such as a hillside or berm. Also, know how far your shot will travel in case you miss the target or the bullet ricochets.

NEVER

- Fire in the direction in which there are people.
- Fire at a sound, movement, or a flash of color.
- Shoot directly upwards or at a high angle of elevation. Firing at or into the air can have enough energy to travel long distances and accidentally injure or kill someone.
- Shoot across a highway or other roadway.

10) ALWAYS WEAR EYE/ EAR/BODY PROTECTION.

Gases and debris can cause injury so it is very important that one wears protective gear to preserve their hearing and eyesight. Also, while in the field wear at least 1000 square inches or more of blaze orange so that you can be visible by others.

NEVER

- Discharge a firearm in a poorly ventilated area.

IMPORTANT WARNING POSSIBLE LEAD EXPOSURE CAN OCCUR WHEN DISCHARGING FIREARMS IN A POORLY VENTILATED AREA, CLEANING THE FIREARM, OR HANDLING AMMUNITION. LEAD AND ITS COMPONENTS IS A SUBSTANCE KNOWN TO CAUSE BIRTH DEFECTS, REPRODUCTIVE DESTRUCTION/IMPAIRMENT, CANCER, OR OTHER SERIOUS HEALTH CONDITIONS AND INJURY. ALWAYS HAVE ADEQUATE VENTILATION AT ALL TIMES AND WASH YOUR HANDS AND OTHER CONTACT AREAS THOROUGHLY AFTER EACH EXPOSURE.

11) ALWAYS HANDLE WITH EXTREME CARE IF YOUR GUN FAILS TO FIRE WHEN THE TRIGGER IS PULLED.

If the ammunition doesn't fire when you pull the trigger, and remember to always keep the firearm pointed in a safe direction. Keep your face away from the breech, then put the safety on, carefully open the action, unload the firearm and dispose of the cartridge safely. Always keep in mind that anytime there is a shell in the chamber, your firearm is LOADED and ready to fire. Even if you tried to shoot and the firearm did not fire, always treat it as if it could still discharge.

12) ALWAYS TREAT THE FIREARM AS IF IT WAS LOADED, EVEN IF THE SAFETY IS POSITIONED CORRECTLY AND KEEP YOUR FINGERS AWAY FROM THE TRIGGER WHEN LOADING AND UNLOADING.

A gun is a mechanical device and is not foolproof and is subject to wear and tear over time. Always keep your fingers away from the trigger when you are loading and unloading. If the manual safety proves to be ineffective for any reason, danger of an unintentional discharge exists, the weapon is then must be immediately unloaded and restricted from further use. Contact Huglu so that the gun can be inspected and repaired by an authorized gunsmith.

REMEMBER, THAT ANY FIREARM SAFETY MECHANISMS CAN FAIL, EVEN IF THE SAFETY IS ENGAGED. YOU SHOULD ALWAYS ASSUME THAT A FIREARM IS LOADED WHEN HANDLING IT.

13) ALWAYS KEEP YOUR SHOTGUN IN THE SAME MECHANICAL AND STRUCTURAL CONFIGURATION AS IT WAS WHEN IT WAS MANUFACTURED.

This shotgun was produced under specific manufacturer guidelines and should not be altered or changed under ANY circumstances. Performing conversions by altering the trigger, mechanical components, safety mechanisms or using any other products other those provided in the original box is **NOT RECOMMENDED** by the manufacturer and could result death, bodily harm, or compromising your safety or the safety of others. Any alteration made to the firearm also voids the factory warranty. Like any mechanical device it is subject to normal wear and tear from use. In order to maintain optimal safety and performance it should be periodically serviced. You must regularly clean and lubricate your firearm to maintain its functionality, accuracy, safety, and reliability. Always before cleaning or lubricating any firearm make sure that you perform a safety check to make sure that the firearm is completely unloaded prior to performing any routine maintenance. If for some reason your firearm does require repairing, you must contact Huglu for an approved service provider. Using unauthorized personnel to repair your firearm will void your manufacturer's warranty.

NEVER

- Alter, convert, or change your firearm from it's original manufacturer's configuration.

IMPORTANT WARNING: THIS FIREARM WAS DESIGNED TO FUNCTION PROPERLY IN ITS ORIGINAL CONDITION. THE MANUFACTURER WILL NOT BE HELD LIABLE OR LEGALLY RESPONSIBLE FOR ANY ALTERATION PERFORMED ON THE FIREARM AFTER IT LEAVES THEIR CONTROL. THIS INCLUDES ANY ADDITION OR SUBSTITUTION OF PARTS OR ACCESSORIES THAT ARE NOT MANUFACTURED BY HUGLU AV TUFEKLERI KOOPERATIFI ANY CHANGES MADE TO THE FIREARM IS SPECIFICALLY CONTRARY TO OUR INSTRUCTIONS AND WE EXPRESSLY DO NOT AUTHORIZE ANY CHANGES BE MADE AFTER MANUFACTURE. DO NOT JEOPARDIZE THE SAFETY OF YOURSELF OR OTHERS BY MAKING MODIFICATIONS TO YOUR FIREARM.

14) ALWAYS MAKE SURE THE BARREL IS CLEAR OF ANY OBSTRUCTIONS BEFORE SHOOTING.

Before loading always perform a safety check to make sure that there is no ammunition in the chamber or magazine. Examine the barrel for any obstructions or debris such as excess lubricant, dirt, or grease. If the bore is obstructed it can cause increased pressure causing the barrel to bulge or burst during use. Always use a cleaning rod and patch to remove any residues or obstructions in the barrel. Be familiar with your firearm. If the noise or recoil seems muffled or weak then STOP! And proceed to unload your firearm and check to make sure nothing is lodged in the barrel.

NEVER

- Try to shoot out an obstruction by loading another shell and firing.

SERIAL NUMBER OF THE FIREARM

The serial number is located on various parts of the shotgun. Each serial number is specific to that shotgun and is used for identification and registration. It is recommended that you record your serial number in your manual and keep the information in a secured location.

Serial Number :

LOADING THE SHOTGUN

- 1) First, point the shotgun in a safe direction. Remember, a safe direction means that the gun is pointed so that even if it were to go off, it would not cause injury, damage, or death. Always perform a safety check to make sure that the chamber is empty.
- 2) When the magazine is empty, the bolt catch lever holds the bolt open at the rear. Press the magazine release to remove the empty magazine and insert a loaded magazine. Remember to only use ammunition that is recommended by the manufacturer.
- 3) Push down the bolt catch lever with the thumb of the shooting hand and this will allow the bolt to move forward and chamber around.

THE SHOTGUN IS NOW LOADED AND READY TO FIRE!

IMPORTANT WARNING ALWAYS UNLOAD YOUR FIREARM IMMEDIATELY AFTER SHOOTING

UNLOADING THE SHOTGUN

1. Point the shotgun in a safe direction. Remember, a safe direction means that the gun is pointed so that even if it were to go off, it would not cause injury, damage, or death.
2. Keep your fingers off the trigger and remove the magazine.
3. Pull back the charging handle one or more times to insure the chamber is empty. Watch for a live round or empty case to be ejected. Pull the charging handle fully rearward and lock the bolt with the bolt catch lever.
4. Make sure the last round in the chamber has been extracted and ejected. Visually and physically check the chamber and the magazine well to make sure the shotgun has been fully unloaded. Perform a safety check by physically inserting your index finger in the chamber to feel for the presence of a round or cartridge case in the chamber.

NO.	PART NUMBER	PART NAME	QTY.
1	TGR12LW01	Lower Receiver Body	1
2	TGR12LW02	Safety Selector Body	1
3	TGR12LW03	Safety Selector Ambi	1
4	TGR12LW04	Safety Selector Screws	1
5	TGR12LW05	Selector Spring Detent	1
6	TGR12LW06	Selector Spring	1
7	TGR12LW07	Hammer	1
8	TGR12LW08	Hammer And Trigger Pins	2
9	TGR12LW09	Hammer Spring	1
10	TGR12LW10	Trigger	1
11	TGR12LW11	Trigger Spring	1
12	TGR12LW12	Disconnecter	1
13	TGR12LW13	Disconnecter Spring	1
14	TGR12LW14	Magazine Cath	1
15	TGR12LW15	Magazine Cath Lock	1
16	TGR12LW16	Magazine Cath Lock Pin	1
17	TGR12LW17	Magazine Cath Spring	1
18	TGR12LW18	Magazine Release Button	1
19	TGR12LW19	Magazine Release Screw	1
20	TGR12LW20	Magazine Release Button Left	1
21	TGR12LW21	Magazine Release Button Left Pin	1
22	TGR12LW22	Magazine Release Button Left Spring	1
23	TGR12LW23	Bolt Catch	1
24	TGR12LW24	Bolt Catch Roll Screw	1
25	TGR12LW25	Bolt Catch Spring	1

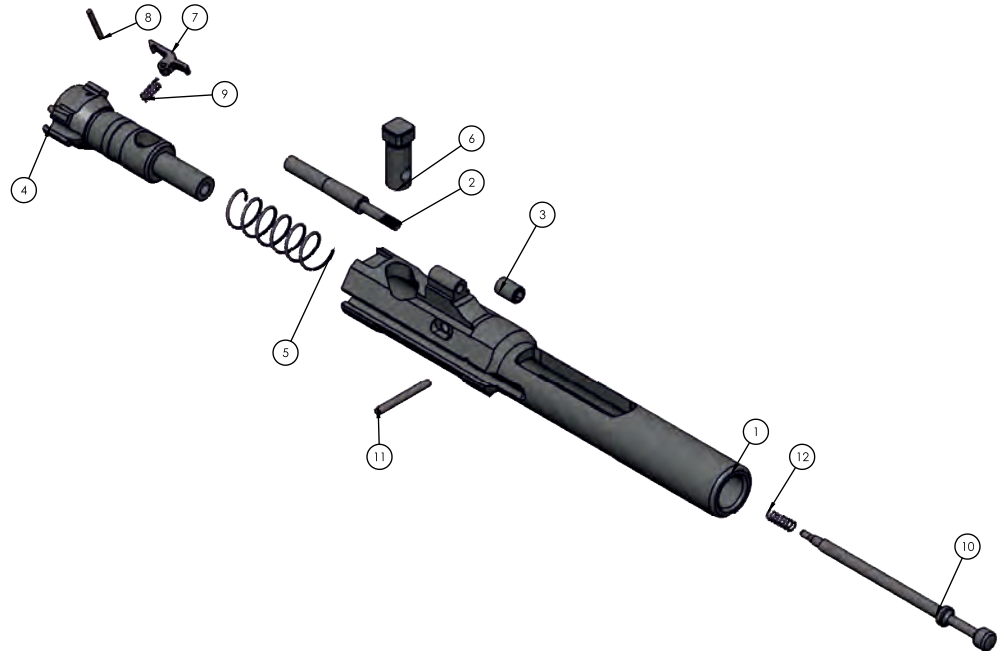
NO.	PART NUMBER	PART NAME	QTY.
26	TGR12LW26	Bolt Catch Right Button	1
27	TGR12LW27	Bolt Catch Right Button Spring	1
28	TGR12LW28	Bolt Catch Right Button Ring	1
29	TGR12LW29	Pistol Grip	1
30	TGR12LW30	Pistol Grip Cover	1
31	TGR12LW31	Pistol Grip Screw	1
32	TGR12LW32	Pivot Pin	1
33	TGR12LW33	Pivot Pin Springs	1
34	TGR12LW34	Pivot Pin Springs Pin	1
35	TGR12LW35	Take Down Pins Detent	1
36	TGR12LW36	Take Down Pins Detent Spring	1
37	TGR12LW37	Take Down Pin	1
38	TGR12LW38	Take Down Pin Screw	1
39	TGR12LW39	Stock Body	1
40	TGR12LW40	Buffer Body	1
41	TGR12LW41	Lock Plate	1
42	TGR12LW42	Action Spring	1
43	TGR12LW43	Buffer Tube	1
44	TGR12LW44	Buffer Tube Nut	1
45	TGR12LW45	Buffer Retainer	1
46	TGR12LW46	Buffer Retainer Spring	1
47	TGR12LW47	Magwell	1
48	TGR12LW48	Magwell M4 Screw	2
49	TGR12LW49	Magwell M4 Nut	2
50	TGR12LW50	Hammer And Trigger Pins Ring	2

LOWER RECEIVER GROUP

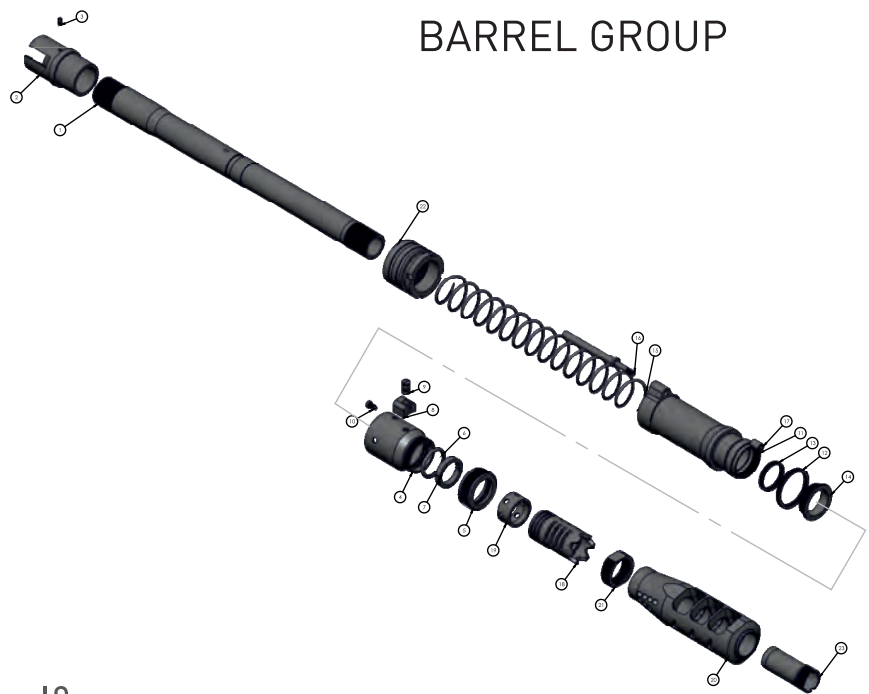


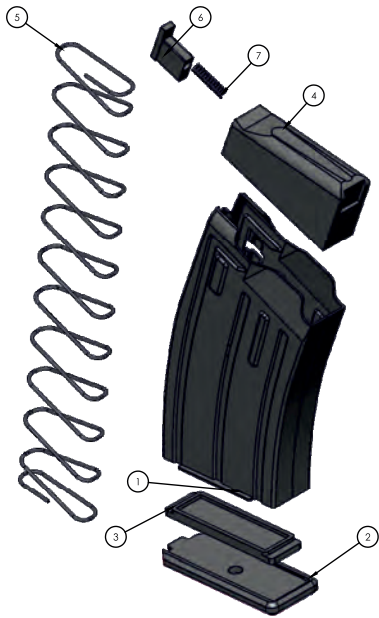
BOLT GROUP

NO.	PART NUMBER	PART NAME	QTY.
1	TGR12BL01	Bolt Body	1
2	TGR12BL02	Bolt Body Drive Pin	1
3	TGR12BL03	Bolt Body Drive Pin Nut	1
4	TGR12BL04	Bolt Head	1
5	TGR12BL05	Bolt Head Spring	1
6	TGR12BL06	Cam Pin	1
7	TGR12BL07	Extractor	1
8	TGR12BL08	Extractor Pin	1
9	TGR12BL09	Extractor Spring	1
10	TGR12BL10	Firing Pin	1
11	TGR12BL11	Firing Pin Retaining Pin	1
12	TGR12BL12	Firing Pin Spring	1



NO.	PART NUMBER	PART NAME	QTY.
1	TGR12BB01	Barrel Blank	1
2	TGR12BB02	Barrel Extension	1
3	TGR12BB03	Barrell Indexing Pin	1
4	TGR12BB04	Gas Chamber	1
5	TGR12BB05	Gas Chamber Nut	1
6	TGR12BB06	Gas Chamber O-Ring	1
7	TGR12BB07	Gas Chamber Ring	1
8	TGR12BB08	Gas Chamber Valve	1
9	TGR12BB09	Gas Chamber Valve Screw M7x0,75	1
10	TGR12BB10	Gas Chamber Valve Screw M4	1
11	TGR12BB11	Gas Piston	1
12	TGR12BB12	Gas Piston Ring Big	4
13	TGR12BB13	Gas Piston Ring Small	4
14	TGR12BB14	Gas Piston Ring Bushing	1
15	TGR12BB15	Gas Piston Spring	1
16	TGR12BB16	Gas Piston Drive Pin	1
17	TGR12BB17	Gas Piston Drive Pin Nut	1
18	TGR12BB18	Flash Hider	1
19	TGR12BB19	Flash Hider Nut	1
20	TGR12BB20	Muzzle Break	1
21	TGR12BB21	Muzzle Break Nut	1
22	TGR12BB22	Barrel Nut	1
23	TGR12BB23	Mobile Choke	1





MAGAZINE GROUP

NO.	PART NUMBER	PART NAME	MIKT.
1	TGR12MA01	Magazine Body Metal 5	1
2	TGR12MA02	Magazine Floor Plate	1
3	TGR12MA03	Magazine Floor Plate Lock	1
4	TGR12MA04	Magazine Follower	1
5	TGR12MA05	Magazine Follower Spring	1
6	TGR12MA06	Magazine Follower rear track	1
7	TGR12MA07	Magazine Follower rear track spring	1

UPPER RECEIVER GROUP

NO.	PART NUMBER	PART NAME	QTY.
1	TGR12UP01	Upper Body	1
2	TGR12UP02	Charging Handle	1
3	TGR12UP03	Charging Handle Latch	1
4	TGR12UP04	Charging Handle Latch Spring	1
5	TGR12UP05	Charging Handle Latch Pin	1
6	TGR12UP06	Charging Handle Left	1
7	TGR12UP07	Charging Handle Left Screw	1
8	TGR12UP08	Ejector	1
9	TGR12UP09	Ejector Screws	2
10	TGR12UP10	Cam Pin Bracket	1
11	TGR12UP11	Cam Pin Bracket Screw	1
12	TGR12UP12	Handguard	1
13	TGR12UP13	Handguard Screws M6	2
14	TGR12UP14	Handguard Screws M4	1
15	TGR12UP15	Flip up Sight	1



MANUFACTURERS WARNING:

THIS MANUFACTURED FIREARM WAS DESIGNED TO PERFORM WITH ITS ORIGINAL PARTS. IT IS YOUR RESPONSIBILITY TO MAKE SURE THAT ANY PARTS YOU BUY ARE AUTHENTIC AND CORRECTLY INSTALLED AND THAT THE PARTS HAVE NOT BEEN ALTERED OR CHANGED. IT IS IMPERATIVE THAT ONLY FACTORY PARTS BE USED AS REPLACEMENTS TO ASSURE THAT THE FIREARM REMAINS FUNCTIONALLY SAFE AND OPERATES ACCURATELY. THE GUN OWNER ACCEPTS FULL RESPONSIBILITY FOR THE CORRECT REASSEMBLY AND FUNCTIONING OF THE FIREARM AFTER ANY DISASSEMBLY OR REPLACEMENT OF PARTS.

Shotgun Disassembly Instructions

To secure your shotgun by pressing the safety button shown in the pictures



Remove the flash suppressor by removing the screw



Press the release button magazine to remove it



Remove the allens screw with 4-3 number allen key on the handguard



Remove the handguard towards arrow way.



While holding gas chamber back side, remove the gas chamber's oring.



Remove the piston nut to anti-clockwise side.



Remove the piston pipe with all other parts which is front side of piston pipe.



Remove tile takedown pin with a tool to separate the receivers.



Break the barrel down side.



Pull the charging handle and bolt carrier.



ASSEMBLY PROCESS: DO THE ACTIONS FROM LAST PICTURE TO FIRST PICTURE.

IMPORTANT WARNING:

BEFORE YOU START CLEANING YOUR SHOTGUN ALWAYS MAKE SURE IT IS UNLOADED AND POINTED IN A SAFE DIRECTION.

LUBRICATION WARNING:

FIRING A SHOTGUN WITH OIL, GREASE, OR OTHER DEBRIS PARTIALLY OBSTRUCTING THE BORE MAY RESULT IN DAMAGE TO THE FIREARM OR INJURY TO THE SHOOTER AND THOSE NEARBY BEFORE FIRING MAKE SURE THE BORE AND CHAMBER OF THE BARREL IS UNOBSTRUCTED AND DRY NEVER SPRAY OR APPLY LUBRICANT ON SHOTSHELLS. FIRING ANOTHER SHOTSHELL BEHIND AN OBSTRUCTION MAY DAMAGE THE SHOTGUN AND CAUSE DEATH OR INJURY. ONLY USE LUBRICANTS PROPERLY AND SPARINGLY. YOU ARE RESPONSIBLE FOR THE PROPER CARE AND MAINTENANCE OF YOUR SHOTGUN.

STEP 1) DISASSEMBLE YOUR SHOTGUN.

STEP 2) USING A PROPER CLEANING ROD, RUN A SOLVENT-WETTED PATCH THROUGH THE BORE SEVERAL TIMES. THIS WILL THEN BE FOLLOWED BY RUNNING DRY PATCHES THROUGH THE BORE TO REMOVE ANY DEBRIS OR RESIDUE.

STEP 3) IF THE BORE IS LEADED TO THE EXTENT THAT THE ABOVE PATCH CLEANING PROCEDURE DID NOT REMOVE THE LEAD, THEN SCRUB THE BORE FULL LENGTH WITH A SOLVENT-WETTED BRASS BRISTLE BRUSH. WHEN THE LEADING IS LOOSE THEN REPEAT STEP #2.

STEP 4) THE SURFACES OF BOLT CARRIER, EJECTOR, AND INSIDE SURFACES OF THE RECEIVER SHOULD BE COATED VERY LIGHTLY WITH NON-PENETRATING LUBRICATING OIL.

STEP 5) REASSEMBLE THE SHOTGUN AND WIPE THE EXTERIOR METAL SURFACES SPARINGLY WITH AN OILED CLOTH. SWAB THE BORE WITH AN OILY PATCH BEFORE STORING THE FIREARM.

STEP 6) PLACE THE SHOTGUN IN A SAFE, LOCKED STORAGE SPACE WHERE UNAUTHORIZED PERSONS CANNOT ACCESS THE FIREARM.

1. Warranty period of our products is one (2) year and starts at the delivery date of the product.
2. In case the delivered product specifications do not conform to the specifications at the time of ordering, objection and claim period for correct product is ten (10) days starting from the date of delivery. In case no objection and claim are made in such period, it shall be deemed that the delivered product is accepted. In case the objection is accepted, the product must be returned to our organization within ten (10) days starting from the date of delivery. The product requested by the customer at the time of ordering will be shipped to the customer provided that our experts issue a report as a result of inspection indicating that the product is unused and there are no faults or defects caused by the customer. Replaced product will be shipped to the customer within three (3) months maximum starting from the date that incorrect product is received by our organization.
3. Technical specifications of the product is listed in the "Technical Specifications" section of this manual.
4. Objections and claims will not be processed and no action will be taken regarding the product if a copy of the invoice is not submitted with the defective-faulty product.
5. Our products will be shipped with an empty chamber using the cargo, mail and shipping method requested by the customer in the event of defects and faults. Our organization shall not be responsible for faults and defects occurred during transport.
6. Our products including all parts are completely under the warranty of our company. Faults and defects occurring as a result of storage, maintenance, and improper use violating the matters specified in the

manual are not covered by the warranty.

7. The period elapsed during repair will be added to the warranty period in case the product failures during the warranty period. Such period shall start on the date that the relevant fault is accepted by the service station. The consumer shall not report the failure via phone, fax, email, registered and reply-paid letter or similar methods. The report to be issued by our aftersales service and quality control experts shall be conclusive evidence as to whether the failures and defects occurring in our products will be covered by the Warranty or not.
8. Time to repair and maintain the product with expired warranty shall be evaluated and notified to the user by our expert personnel in case such product fails or requires maintenance.
9. In case the product fails during the warranty period as a result of either materials and labor or assembly failures, such product will be repaired by our Organization without requesting any labor costs, replaced spare part fees, or other fees.
10. The consumer shall be entitled to request free replacement, refund or discount at the rate of defect in case the product
 - Fails minimum four times within one year or more than six times during the warranty period determined by the manufacturer starting from the date of delivery to the consumer provided that such determined warranty period is not expired, and moreover, such failures continually prevent the consumer from utilizing the product,
 - The report issued by the company's service station determines that the failure specified in the report cannot be repaired despite the fact that the consumer has exercised the right to repair.
11. Failures arising from improper use of the product violating the

matters specified in the manual or serviced by a service location other than the authorized service will not be covered by the warranty.

12. Warnings related to the situations during the use of our products which may be dangerous or harmful to the environment and human health are covered by this manual.
13. The consumer may apply to the Consumer Arbitration Committee or Consumer Court located in the residential area or the consumer's location for the disputes which may arise in relation to the exercise of the rights arising from the warranty.
14. The consumer may apply to the Directorate General of Consumer Protection and Market Surveillance of the Ministry of Customs and Trade in case the Seller fails to give this warranty certificate.

Model:

Cal.:

Barrel Length:

Serial Number:

Huđlu Av Tüfekleri Kooperatifi

Huđlu Mah. Özgürlük Cad.
No: 40/A 42710
Beyşehir/Konya/Turkey
[@ info@huglu.com.tr](mailto:info@huglu.com.tr)

Satış Ofisi / Sales Office
T. +90 332 516 16 00
F. +90 332 516 10 31

Fabrika / Factory
T. +90 332 516 11 53 (PBX)
F. +90 332 516 10 32

   huglu.com.tr